

LIGHTNING ELIMINATORS

WWW.LIGHTNINGPROTECTION.COM

CLP[®] (Coaxial Line Protector)

Gas Tube Surge Suppression

The CLP series of coaxial surge protectors has been designed to protect antennas, microwaves, broadband applications, two-way radios, cellular systems, and GPS equipment against lightning surges and electrical transients. They are the first line of defense for your sensitive electronics.

The CLP series employs a patented gas tube, and can be mounted and grounded in one of three ways: using the bulkhead mount, via the M6 ground screw, or with an optional mounting bracket.

High-Frequency Surge Protection

- 20kA transient amps protection (8/20 μ s)
- 5kA transient amps protection (10/350 μ s)
- DC Pass to +/-48V
- VSWR < 1.2
- Insertion Loss < 0.1dB
- Bi-directional, series installed
- Removable GDT
- Waterproof, outdoor rated enclosure

Applications

- Tower Mounted Amplifiers (TMA)
- Global Positioning Systems (GPS)
- Antenna Systems
- Tower Top Electronics (TTE)
- Transmitters and Receivers
- WiFi
- Broadband Wireless
- Enclosure Type: EMP/RFI Shielded

Ordering Information



LEC Model	CLP-90	CLP-200	CLP-400
최대 전력	25W	190W	780W
부품 손실	< 0.1db	< 0.1db	< 0.1db
허용전류 (8x20 μ s)	20kA	20kA	20kA
고장 전압(100V/s)	90-130V	200-300V	400-600V
VSWR	< 1.2	< 1.2	< 1.2
저항 (Ω)	50 or 75	50 or 75	50 or 75
주파수 범위	DC-5 GHz	DC-5 GHz	DC-5 GHz

재질	Copper Alloy, CuZnSN Finish
습도	0 to 100% condensing
허용온도	-50° C to +85° C
허용고도	13,000 ft. (4000m)
연결방식	Series
보호형태	GDT Based
컨넥터	TNC, BNC, N, 7/16, SMA, F
접지	M6 Screw, Bulkhead, Bracket
최대 규격	49mm dia x 107mm long
무게	4.4 oz
인증사항	UL497E

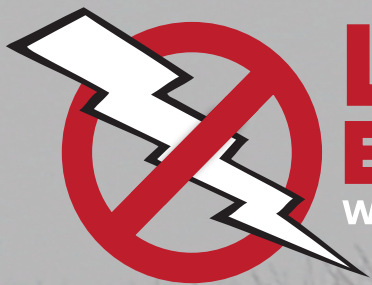
Clamp Voltage:
90, 200, or 400

Gender (In/Out):
MF or FF

CLP-_____ - _____ (____/____) B-_____

Connector Type:
TNC, BNC, N, 7/16, SMA, or F

Impedance:
BNC or F-Type Connector = 75 Ω
BNC, TNC, N, 7/16 or SMA = 50 Ω



LIGHTNING ELIMINATORS

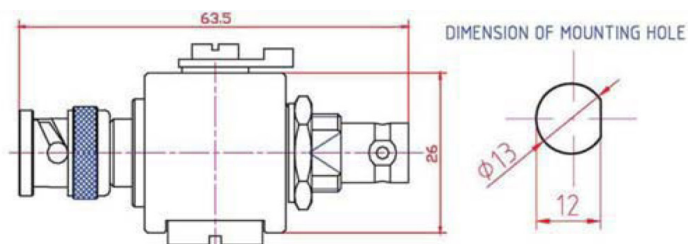
WWW.LIGHTNINGPROTECTION.COM

Sample Dimensional Drawings

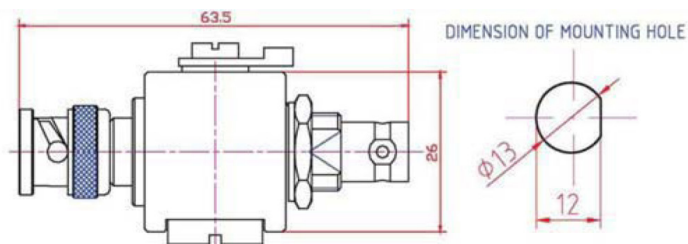
Outer dimension tolerance: +/- 0.2mm

Grounding Screw Tolerance: -0.05mm

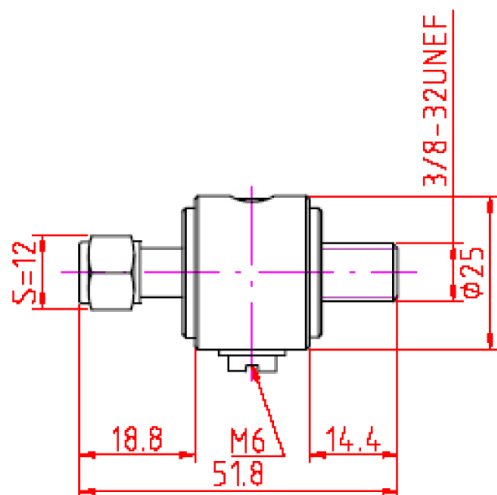
BNC Male to BNC Bulkhead Female



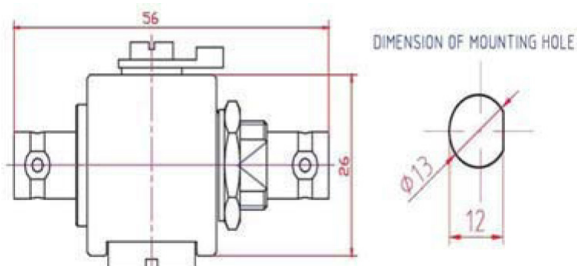
N Male to N Bulkhead Female



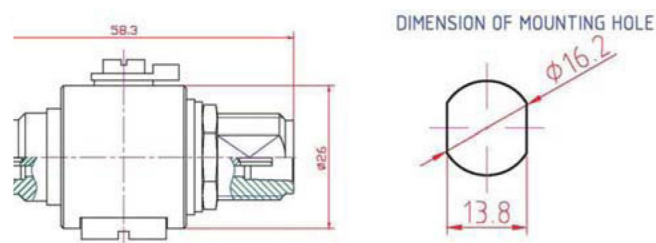
F Male to F Bulkhead Female



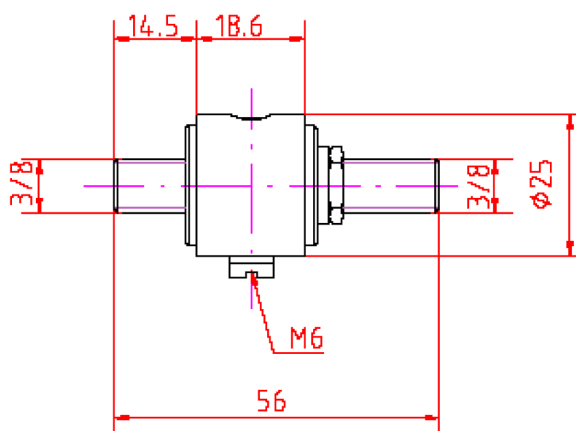
BNC Female to BNC Bulkhead Female



N Female to N Bulkhead Female



F Female to F Bulkhead Female



Consulting & Technical Support

We are a full-service firm aligned to solve your most complex challenges in surge suppression, grounding, and lightning protection. Call us today at **+1 (303) 447-2828** to learn how our solutions can maximize your operation's